

DEWALT®

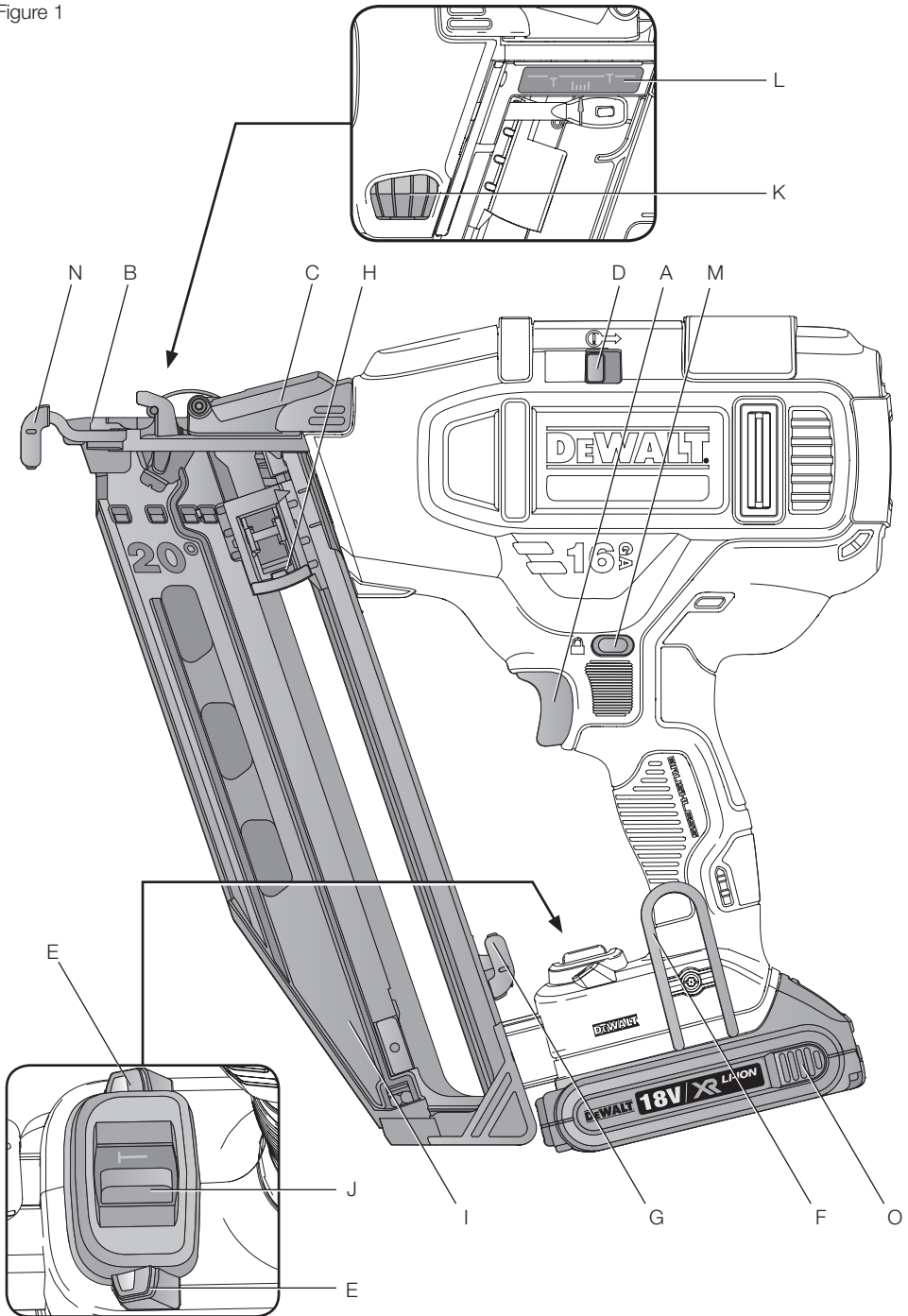
XR LI-ION

www.DEWALT.com

**DCN660
DCN661**

Dansk (<i>oversat fra original brugsvejledning</i>)	4
Deutsch (<i>übersetzt von den originalanweisungen</i>)	18
English (<i>original instructions</i>)	34
Español (<i>traducido de las instrucciones originales</i>)	48
Français (<i>traduction de la notice d'instructions originale</i>)	63
Italiano (<i>tradotto dalle istruzioni originali</i>)	78
Nederlands (<i>vertaald vanuit de originele instructies</i>)	93
Norsk (<i>oversatt fra de originale instruksjonene</i>)	109
Português (<i>traduzido das instruções originais</i>)	123
Suomi (<i>käännetty alkuperäisestä käyttöohjeesta</i>)	138
Svenska (<i>översatt från de ursprungliga instruktionerna</i>)	152
Türkçe (<i>orijinal talimatlardan çevrilmiştir</i>)	166
Ελληνικά (<i>μετάφραση από τις πρωτότυπες οδηγίες</i>)	180

Figure 1



DCN660

Figure 2

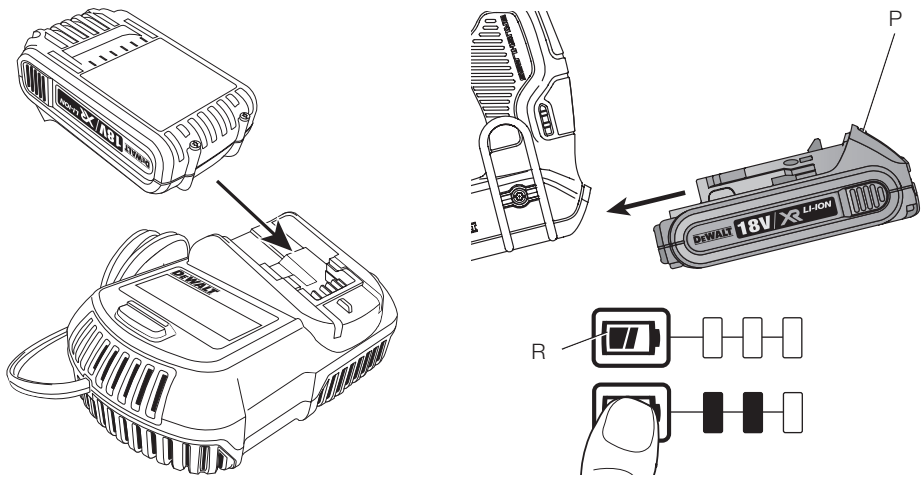


Figure 3

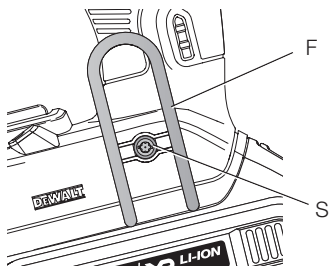


Figure 4

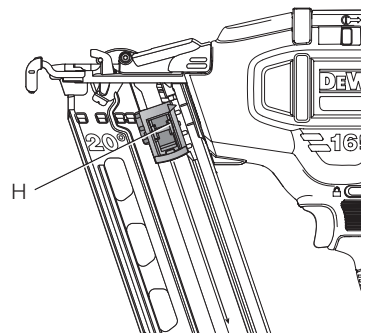
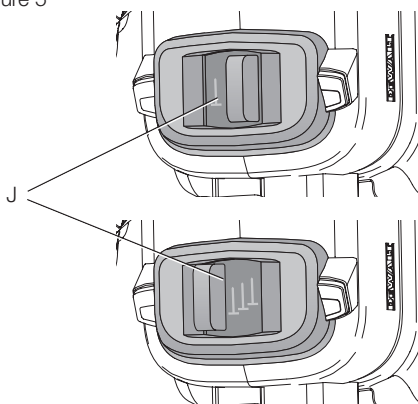


Figure 5



DCN660

Figure 6

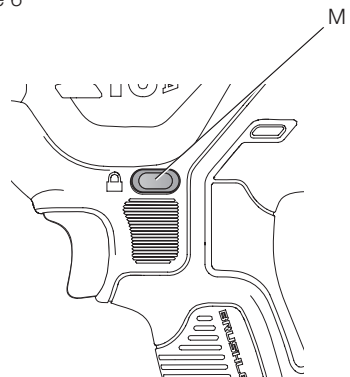


Figure 7

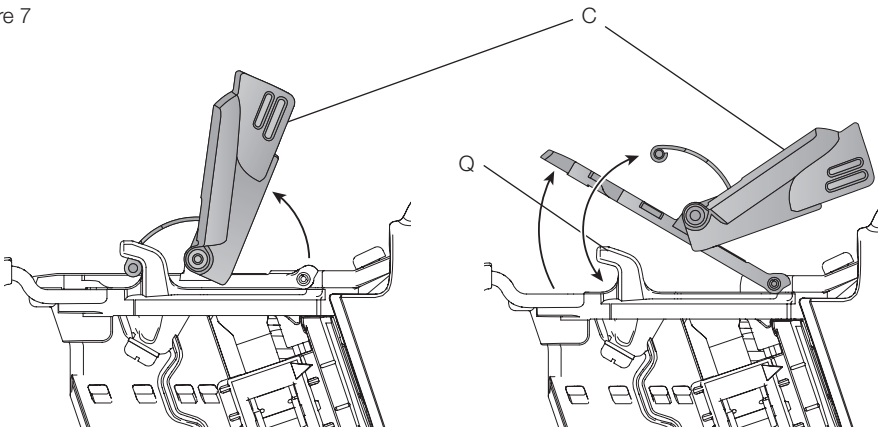


Figure 8

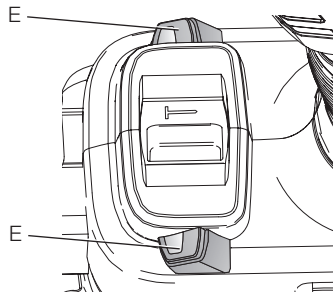
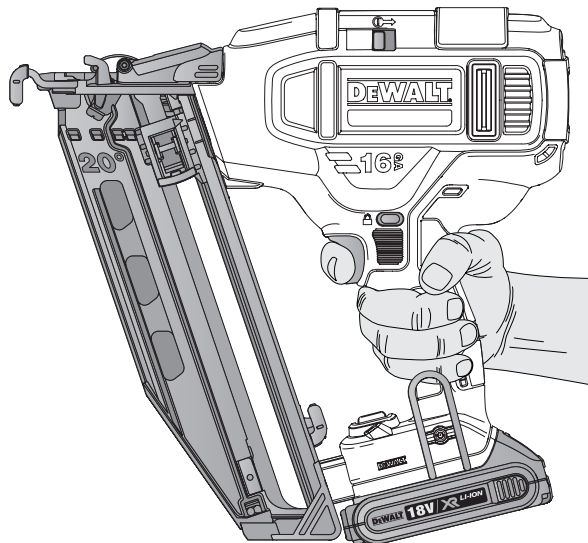


Figure 9



18V XR 16 GA FINISH NAILER

DCN660, DCN661

Congratulations!

You have chosen a DEWALT tool. Years of experience, thorough product development and innovation make DEWALT one of the most reliable partners for professional power tool users.

Technical Data

		DCN660	DCN661
Voltage	V_{DC}	18	18
Type		1	1
Battery type		Li-Ion	Li-Ion
Actuating mode		Sequential / Bump	Sequential
Magazine angle		20°	20°
Fasteners			
length	mm	32 - 63	32 - 63
shank diameter	mm	1.6	1.6
angle		20°	20°
Weight (without battery pack)	kg	2.4	2.4
Drive energy	J	48	48
Noise values and vibration values (triax vector sum) according to EN60745-2-16:			
L_{pA} (emission sound pressure level)	dB(A)	81	81
L_{WA} (sound power level)	dB(A)	92	92
K (uncertainty for the given sound level)	dB(A)	3	3
Vibration emission value $a_{h1} =$	m/s^2	2.5	2.5
Uncertainty K =	m/s^2	1.5	1.5

The vibration emission level given in this information sheet has been measured in accordance with a standardised test given in EN60745 and may be used to compare one tool with another. It may be used for a preliminary assessment of exposure.



WARNING: The declared vibration emission level represents the main applications of the tool. However if the tool is used for different applications, with different accessories or poorly maintained, the vibration emission may differ. This may significantly increase the exposure level over the total working period.

An estimation of the level of exposure to vibration should also take into account the times when the tool is switched off or when it is running but not actually doing the job. This may significantly reduce the exposure level over the total working period.

Identify additional safety measures to protect the operator from the effects of vibration such as: maintain the tool and the accessories, keep the hands warm, organisation of work patterns.

Battery pack		DCB140	DCB141	DCB142
Battery type		Li-Ion	Li-Ion	Li-Ion
Voltage	V_{DC}	14.4	14.4	14.4
Capacity	Ah	3.0	1.5	4.0
Weight	kg	0.53	0.30	0.54

Battery pack		DCB143	DCB144	DCB145
Battery type		Li-Ion	Li-Ion	Li-Ion
Voltage	V_{DC}	14.4	14.4	14.4
Capacity	Ah	2.0	5.0	1.3
Weight	kg	0.30	0.52	0.30

Battery pack		DCB180	DCB181	DCB182
Battery type		Li-Ion	Li-Ion	Li-Ion
Voltage	V_{DC}	18	18	18
Capacity	Ah	3.0	1.5	4.0
Weight	kg	0.64	0.35	0.61

Battery pack		DCB183/B	DCB184/B	DCB185
Battery type		Li-Ion	Li-Ion	Li-Ion
Voltage	V_{DC}	18	18	18
Capacity	Ah	2.0	5.0	1.3
Weight	kg	0.40	0.62	0.35

Charger		DCB105		
Mains voltage	V_{AC}	230		
Battery type		10.8/14.4/18 Li-Ion		
Approx. charging time of battery packs	min	25 (1.3 Ah)	30 (1.5 Ah)	40 (2.0 Ah)
		55 (3.0 Ah)	70 (4.0 Ah)	90 (5.0 Ah)
Weight	kg	0.49		

Charger		DCB107		
Mains voltage	V_{AC}	230		
Battery type		10.8/14.4/18 Li-Ion		
Approx. charging time of battery packs	min	60 (1.3 Ah)	70 (1.5 Ah)	90 (2.0 Ah)
		140 (3.0 Ah)	185 (4.0 Ah)	240 (5.0 Ah)
Weight	kg	0.29		

Charger		DCB112		
Mains voltage	V_{AC}	230		
Battery type		10.8/14.4/18 Li-Ion		
Approx. charging time of battery packs	min	40 (1.3 Ah)	45 (1.5 Ah)	60 (2.0 Ah)
		90 (3.0 Ah)	120 (4.0 Ah)	150 (5.0 Ah)
Weight	kg	0.36		

Charger		DCB113		
Mains voltage	V_{AC}	230		
Battery type		10.8/14.4/18 Li-Ion		
Approx. charging time of battery packs	min	30 (1.3 Ah)	35 (1.5 Ah)	50 (2.0 Ah)
		70 (3.0 Ah)	100 (4.0 Ah)	120 (5.0 Ah)
Weight	kg	0.4		

Charger		DCB115		
Mains voltage	V_{AC}	230		
Battery type		10.8/14.4/18 Li-Ion		
Approx. charging time of battery packs	min	25 (1.3 Ah)	30 (1.5 Ah)	40 (2.0 Ah)
		55 (3.0 Ah)	70 (4.0 Ah)	90 (5.0 Ah)
Weight	kg	0.5		

Fuses:			
Europe	230V tools	10 Amperes, mains	
U.K. & Ireland	230V tools	3 Amperes, in plugs	

Definitions: Safety Guidelines

The definitions below describe the level of severity for each signal word. Please read the manual and pay attention to these symbols.



DANGER: Indicates an imminently hazardous situation which, if not avoided, **will** result in **death or serious injury**.



WARNING: Indicates a potentially hazardous situation which, if not avoided, **could** result in **death or serious injury**.



CAUTION: Indicates a potentially hazardous situation which, if not avoided, **may** result in **minor or moderate injury**.

NOTICE: Indicates a practice **not related to personal injury** which, if not avoided, **may** result in **property damage**.



Denotes risk of electric shock.



Denotes risk of fire.

EC-Declaration of Conformity**MACHINERY DIRECTIVE****18V XR 16 GA FINISH NAILER
DCN660, DCN661**

DEWALT declares that these products described under **Technical Data** are in compliance with: 2006/42/EC, EN60745-1:2009+A11:2010, EN60745-2-16:2010.

These products also comply with Directive 2004/108/EC (until 19.04.2016), 2014/30/EU (from 20.04.2016) and 2011/65/EU. For more information, please contact DEWALT at the following address or refer to the back of the manual.

The undersigned is responsible for compilation of the technical file and makes this declaration on behalf of DEWALT.

Markus Rempel
Director Engineering
DEWALT, Richard-Klenger-Straße 11,
D-65510, Idstein, Germany
24.07.2015



WARNING: To reduce the risk of injury, read the instruction manual.

General Power Tool Safety Warnings

WARNING: Read all safety warnings and all instructions. Failure to follow the warnings and instructions may result in electric shock, fire and/or serious injury.

**SAVE ALL WARNINGS AND INSTRUCTIONS
FOR FUTURE REFERENCE**

The term "power tool" in the warnings refers to your mains-operated (corded) power tool or battery-operated (cordless) power tool.

1) WORK AREA SAFETY

- a) **Keep work area clean and well lit.** Cluttered or dark areas invite accidents.
- b) **Do not operate power tools in explosive atmospheres, such as in the presence of flammable liquids, gases or dust.** Power tools create sparks which may ignite the dust or fumes.
- c) **Keep children and bystanders away while operating a power tool.** Distractions can cause you to lose control.

2) ELECTRICAL SAFETY

- a) **Power tool plugs must match the outlet. Never modify the plug in any way. Do not use any adapter plugs with earthed (grounded) power tools.** Unmodified plugs and matching outlets will reduce risk of electric shock.
- b) **Avoid body contact with earthed or grounded surfaces such as pipes, radiators, ranges and refrigerators.** There is an increased risk of electric shock if your body is earthed or grounded.
- c) **Do not expose power tools to rain or wet conditions.** Water entering a power tool will increase the risk of electric shock.
- d) **Do not abuse the cord. Never use the cord for carrying, pulling or unplugging the power tool. Keep cord away from heat, oil, sharp edges or moving parts.** Damaged or entangled cords increase the risk of electric shock.
- e) **When operating a power tool outdoors, use an extension cord suitable for outdoor use.** Use of a cord suitable for outdoor use reduces the risk of electric shock.
- f) **If operating a power tool in a damp location is unavoidable, use a residual current device (RCD) protected supply.** Use of an RCD reduces the risk of electric shock.

3) PERSONAL SAFETY

- a) **Stay alert, watch what you are doing and use common sense when operating a power tool. Do not use a power tool while you are tired or under the influence of drugs, alcohol or medication.** A moment of inattention while operating power tools may result in serious personal injury.
- b) **Use personal protective equipment. Always wear eye protection.** Protective equipment such as dust mask, non-skid safety shoes, hard hat, or hearing protection used for appropriate conditions will reduce personal injuries.
- c) **Prevent unintentional starting. Ensure the switch is in the off position before connecting to power source and/or battery pack, picking up or carrying the tool.** Carrying power tools with your finger on the switch or energising power tools that have the switch on invites accidents.
- d) **Remove any adjusting key or wrench before turning the power tool on.** A wrench or a key left attached to a rotating part of the power tool may result in personal injury.

- e) **Do not overreach. Keep proper footing and balance at all times.** This enables better control of the power tool in unexpected situations.
- f) **Dress properly. Do not wear loose clothing or jewellery. Keep your hair, clothing and gloves away from moving parts.** Loose clothes, jewellery or long hair can be caught in moving parts.
- g) **If devices are provided for the connection of dust extraction and collection facilities, ensure these are connected and properly used.** Use of dust collection can reduce dust-related hazards.

4) POWER TOOL USE AND CARE

- a) **Do not force the power tool. Use the correct power tool for your application.** The correct power tool will do the job better and safer at the rate for which it was designed.
- b) **Do not use the power tool if the switch does not turn it on and off.** Any power tool that cannot be controlled with the switch is dangerous and must be repaired.
- c) **Disconnect the plug from the power source and/or the battery pack from the power tool before making any adjustments, changing accessories, or storing power tools.** Such preventive safety measures reduce the risk of starting the power tool accidentally.
- d) **Store idle power tools out of the reach of children and do not allow persons unfamiliar with the power tool or these instructions to operate the power tool.** Power tools are dangerous in the hands of untrained users.
- e) **Maintain power tools. Check for misalignment or binding of moving parts, breakage of parts and any other condition that may affect the power tool's operation. If damaged, have the power tool repaired before use.** Many accidents are caused by poorly maintained power tools.
- f) **Keep cutting tools sharp and clean.** Properly maintained cutting tools with sharp cutting edges are less likely to bind and are easier to control.
- g) **Use the power tool, accessories and tool bits etc., in accordance with these instructions taking into account the working conditions and the work to be performed.** Use of the power tool for operations different from those intended could result in a hazardous situation.

5) BATTERY TOOL USE AND CARE

- a) **Recharge only with the charger specified by the manufacturer.** A charger that is suitable for one type of battery pack may create a risk of fire when used with another battery pack.
- b) **Use power tools only with specifically designated battery packs.** Use of any other battery packs may create a risk of injury and fire.
- c) **When battery pack is not in use, keep it away from other metal objects like paper clips, coins, keys, nails, screws or other small metal objects that can make a connection from one terminal to another.** Shorting the battery terminals together may cause burns or a fire.
- d) **Under abusive conditions, liquid may be ejected from the battery; avoid contact. If contact accidentally occurs, flush with water. If liquid contacts eyes, additionally seek medical help.** Liquid ejected from the battery may cause irritation or burns.

6) SERVICE

- a) **Have your power tool serviced by a qualified repair person using only identical replacement parts.** This will ensure that the safety of the power tool is maintained.

Safety Rules for Finish Nailers

- **Always assume that the tool contains fasteners.** Careless handling of the nailer can result in unexpected firing of fasteners and personal injury.
- **Do not point the tool towards yourself or anyone nearby.** Unexpected triggering will discharge the fastener causing an injury.
- **Do not actuate the tool unless the tool is placed firmly against the workpiece.** If the tool is not in contact with the workpiece, the fastener may be deflected away from your target.
- **Disconnect the tool from the power source when the fastener jams in the tool.** While removing a jammed fastener, the nailer may be accidentally activated if it is plugged in.
- **Do not use this nailer for fastening electrical cables.** It is not designed for electric cable installation and may damage the insulation of electric cables thereby causing electric shock or fire hazards.
- Always wear safety glasses.
- Always wear ear protection.
- Only use fasteners of the type specified in the manual.

- Do not use any stands for mounting the tool to a support.
 - Do not disassemble or block any parts of the fastener driving tool such as the contact trip.
 - Prior to each operation check that the safety and triggering mechanism is functioning properly and that all nuts and bolts are tight.
 - Do not use the tool as a hammer.
 - Do not use the DCN660 or DCN661
 - when changing from one driving location to another involving the use of scaffoldings, stairs, ladders or ladder-like constructions, e.g., roof laths, etc.;
 - when closing boxes or crates;
 - when fitting transportation safety systems, e.g., on vehicles, wagons, etc.
- For exemptions check your local national workplace regulations.
- Always check local workplace regulations.
 - Never point any operational fastener driving tool at yourself or at any other person.
 - While working, hold the tool in such a way that no injuries can be caused to the head or to the body in the event of a possible recoil due to a disruption in the energy supply or hard areas within the work piece.
 - Never actuate the fastener driving tool into free space.
 - In the work area, carry the tool at the workplace using only one handle, and never with the trigger actuated.
 - Consider the conditions in the work area. Fasteners can penetrate thin work pieces or slip off corners and edges of the work piece, and thus put people at risk.
 - Do not drive fasteners close to the edge of the work piece.
 - Do not drive fasteners on top of other fasteners.

Residual Risks

In spite of the application of the relevant safety regulations and the implementation of safety devices, certain residual risks cannot be avoided. These are:

- Impairment of hearing.
- Risk of personal injury due to flying particles.
- Risk of burns due to accessories becoming hot during operation.
- Risk of personal injury due to prolonged use.

Markings on Tool

The following pictograms are shown on the tool:

-  Read instruction manual before use.
-  Wear ear protection.
-  Wear eye protection.
-  Do not operate tool scaffoldings, ladders.
-  Length of nails.
-  Nail thickness.
-  Loading capacity.
-  Tool voltage.
-  Magazine angle: 20°.
-  Visible radiation. Do not stare into light.

DATE CODE POSITION

The date code, which also includes the year of manufacture, is printed into the housing.

Example:


2015 XX XX

Year of Manufacture

Important Safety Instructions for All Battery Chargers

SAVE THESE INSTRUCTIONS: This manual contains important safety and operating instructions for compatible battery chargers (refer to **Technical Data**).

- Before using charger, read all instructions and cautionary markings on charger, battery pack, and product using battery pack.

 **WARNING:** Shock hazard. Do not allow any liquid to get inside charger. Electric shock may result.

 **WARNING:** We recommend the use of a residual current device with a residual current rating of 30mA or less.



CAUTION: Burn hazard. To reduce the risk of injury, charge only DEWALT rechargeable batteries. Other types of batteries may burst causing personal injury and damage.



CAUTION: Children should be supervised to ensure that they do not play with the appliance.

NOTICE: Under certain conditions, with the charger plugged into the power supply, the exposed charging contacts inside the charger can be shorted by foreign material. Foreign materials of a conductive nature such as, but not limited to, steel wool, aluminum foil or any buildup of metallic particles should be kept away from charger cavities. Always unplug the charger from the power supply when there is no battery pack in the cavity. Unplug charger before attempting to clean

- **DO NOT attempt to charge the battery pack with any chargers other than the ones in this manual.** The charger and battery pack are specifically designed to work together.
- **These chargers are not intended for any uses other than charging DEWALT rechargeable batteries.** Any other uses may result in risk of fire, electric shock or electrocution.
- **Do not expose charger to rain or snow.**
- **Pull by plug rather than cord when disconnecting charger.** This will reduce risk of damage to electric plug and cord.
- **Make sure that cord is located so that it will not be stepped on, tripped over, or otherwise subjected to damage or stress.**
- **Do not use an extension cord unless it is absolutely necessary.** Use of improper extension cord could result in risk of fire, electric shock, or electrocution.
- **Do not place any object on top of charger or place the charger on a soft surface that might block the ventilation slots and result in excessive internal heat.** Place the charger in a position away from any heat source. The charger is ventilated through slots in the top and the bottom of the housing.
- **Do not operate charger with damaged cord or plug—have them replaced immediately.**
- **Do not operate charger if it has received a sharp blow, been dropped, or otherwise damaged in any way.** Take it to an authorised service centre.
- **Do not disassemble charger; take it to an authorised service centre when service or repair is required.** Incorrect reassembly may result in a risk of electric shock, electrocution or fire.
- In case of damaged power supply cord the supply cord must be replaced immediately by the manufacturer, its service agent or similar qualified person to prevent any hazard.
- **Disconnect the charger from the outlet before attempting any cleaning. This will reduce the risk of electric shock.** Removing the battery pack will not reduce this risk.
- **NEVER attempt to connect two chargers together.**
- **The charger is designed to operate on standard 230V household electrical power. Do not attempt to use it on any other voltage.** This does not apply to the vehicular charger.

SAVE THESE INSTRUCTIONS

Chargers

The DCB105, DCB112, DCB113 and DCB115 chargers accept 10.8 V, 14.4V and 18V Li-Ion XR (DCB140, DCB141, DCB142, DCB143, DCB144, DCB145, DCB180, DCB181, DCB182, DCB183, DCB184 and DCB185) battery packs.

DEWALT chargers require no adjustment and are designed to be as easy as possible to operate.











Charging Procedure (Fig. 2)

1. Plug the charger into an appropriate outlet before inserting battery pack.
2. Insert the battery pack (O) into the charger. The red (charging) light will blink continuously indicating that the charging process has started.
3. The completion of charge will be indicated by the red light remaining ON continuously. The pack is fully charged and may be used at this time or left in the charger.

NOTE: To ensure maximum performance and life of lithium-ion batteries, charge the battery pack fully before first use.

Charging Process

Refer to the table below for the charge status of the battery pack.

Charge indicators: DCB105		
	charging	--- --- --- ---
	fully charged	—————
	hot/cold pack delay	---●---●---●
	replace battery pack	●●●●●●●●
Charge indicators: DCB107, DCB112, DCB113, DCB115		
	charging	--- --- --- --- 
	fully charged	————— 
	hot/cold pack delay*	--- --- --- --- 

***DCB107, DCB112, DCB113, DCB115:** The red light will continue to blink, but a yellow indicator light will be illuminated during this operation. Once the battery has reached an appropriate temperature, the yellow light will turn off and the charger will resume the charging procedure.

The compatible charger(s) will not charge a faulty battery pack. The charger will indicate faulty battery by refusing to light or by displaying problem pack or charger blink pattern.

NOTE: This could also mean a problem with a charger.

If the charger indicates a problem, take the charger and battery pack to be tested at an authorised service centre.

HOT/COLD PACK DELAY

When the charger detects a battery that is too hot or too cold, it automatically starts a Hot/Cold Pack Delay, suspending charging until the battery has reached an appropriate temperature. The charger then automatically switches to the pack charging mode. This feature ensures maximum battery life.

A cold battery pack will charge at about half the rate of a warm battery pack. The battery pack will charge at that slower rate throughout the entire charging cycle and will not return to maximum charge rate even if the battery warms.

LITHIUM-ION BATTERY PACKS ONLY

XR Li-Ion tools are designed with an Electronic Protection System that will protect the battery against overloading, overheating or deep discharge.

The tool will automatically turn off if the Electronic Protection System engages. If this occurs, place the lithium-ion battery on the charger until it is fully charged.

Important Safety Instructions for All Battery Packs

When ordering replacement battery packs, be sure to include catalog number and voltage.

The battery pack is not fully charged out of the carton. Before using the battery pack and charger, read the safety instructions below. Then follow charging procedures outlined.

READ ALL INSTRUCTIONS

- **Do not charge or use battery in explosive atmospheres, such as in the presence of flammable liquids, gases or dust.** Inserting or removing the battery from the charger may ignite the dust or fumes.
- **Never force battery pack into charger. Do not modify battery pack in any way to fit into a non-compatible charger as battery pack may rupture causing serious personal injury.**
- Charge the battery packs only in DEWALT chargers.
- **DO NOT splash or immerse in water or other liquids.**
- **Do not store or use the tool and battery pack in locations where the temperature may reach or exceed 40 °C (105 °F) (such as outside sheds or metal buildings in summer).**



WARNING: Never attempt to open the battery pack for any reason. If battery pack case is cracked or damaged, do not insert into charger. Do not crush, drop or damage battery pack. Do not use a battery pack or charger that has received a sharp blow, been dropped, run over or damaged in any way (i.e., pierced with a nail, hit with a hammer, stepped on). Electric shock or electrocution may result. Damaged battery packs should be returned to service centre for recycling.



CAUTION: When not in use, place tool on its side on a stable surface where it will not cause a tripping or falling hazard. Some tools with large battery packs will stand upright on the battery pack but may be easily knocked over.

SPECIFIC SAFETY INSTRUCTIONS FOR LITHIUM-ION (LI-ION)

- **Do not incinerate the battery pack even if it is severely damaged or is completely worn out.** The battery pack can explode in a fire. Toxic fumes and materials are created when lithium-ion battery packs are burned.
- **If battery contents come into contact with the skin, immediately wash area with mild soap and water.** If battery liquid gets into the eye, rinse water over the open eye for 15 minutes or until irritation ceases. If medical attention is needed, the battery electrolyte is composed of a mixture of liquid organic carbonates and lithium salts.
- **Contents of opened battery cells may cause respiratory irritation.** Provide fresh air. If symptoms persists, seek medical attention.



WARNING: Burn hazard. Battery liquid may be flammable if exposed to spark or flame.

Transportation

DEWALT batteries comply with all applicable shipping regulations as prescribed by industry and legal standards which include UN Recommendations on the Transport of Dangerous Goods; International Air Transport Association (IATA) Dangerous Goods Regulations, International Maritime Dangerous Goods (IMDG) Regulations, and the European Agreement Concerning The International Carriage of Dangerous Goods by Road (ADR). Lithium-ion cells and batteries have been tested to section 38.3 of the UN Recommendations on the Transport of Dangerous Goods Manual of Tests and Criteria.

In most instances, shipping a DEWALT battery pack will be excepted from being classified as a fully regulated Class 9 Hazardous Material. In general, the two instances that require shipping Class 9 are:

1. Air shipping more than two DEWALT lithium-ion battery packs when the package contains only battery packs (no tools), and
2. Any shipment containing a lithium-ion battery with an energy rating greater than 100 watt hours (Wh). All lithium-ion batteries have the watt hour rating marked on the pack.

Regardless of whether a shipment is considered excepted or fully regulated, it is the shipper's responsibility to consult the latest regulations for packaging, labeling/markings and documentation requirements.

Transporting batteries can possibly cause fire if the battery terminals inadvertently come in contact with conductive materials. When transporting batteries, make sure that the battery terminals are protected and well insulated from materials that could contact them and cause a short circuit.

The information provided in this section of the manual is provided in good faith and believed to be accurate at the time the document was created. However, no warranty, expressed or implied, is given. It is the buyer's responsibility to ensure that its activities comply with the applicable regulations.

Battery Pack

BATTERY TYPE

The DCN660 and DCN661 operate on an 18 volt battery pack.

The DCB180, DCB181, DCB182, DCB183, DCB184 or DCB185 battery packs may be used. Refer to **Technical Data** for more information.

Storage Recommendations

1. The best storage place is one that is cool and dry away from direct sunlight and excess heat or cold. For optimum battery performance and life, store battery packs at room temperature when not in use.
2. For long storage, it is recommended to store a fully charged battery pack in a cool, dry place out of the charger for optimal results.

NOTE: Battery packs should not be stored completely depleted of charge. The battery pack will need to be recharged before use.

Labels on Charger and Battery Pack

In addition to the pictographs used in this manual, the labels on the charger and the battery pack may show the following pictographs:



Read instruction manual before use.



See **Technical Data** for charging time.



Battery charging.



Battery charged.



Battery defective.



Hot/cold pack delay.



Do not probe with conductive objects.



Do not charge damaged battery packs.



Do not expose to water.



Have defective cords replaced immediately.



Charge only between 4 °C and 40 °C.



Only for indoor use.



Discard the battery pack with due care for the environment.

LI-ION



Charge DEWALT battery packs only with designated DEWALT chargers. Charging battery packs other than the designated DEWALT batteries with a DEWALT charger may make them burst or lead to other dangerous situations.



Do not incinerate the battery pack.

Package Contents

The package contains:

- 1 Nailer
- 1 Charger (D2 or P2 models only)
- 2 Battery packs (D2 or P2 models only)
- 1 Kitbox (D2 or P2 models only)
- 1 Instruction manual

NOTE: Battery packs, chargers and kitboxes are not included with N versions.

- *Check for damage to the tool, parts or accessories which may have occurred during transport.*
- *Take the time to thoroughly read and understand this manual prior to operation.*

Description (Fig. 1)



WARNING: Never modify the power tool or any part of it. Damage or personal injury could result.

- A. Trigger switch
- B. Contact trip
- C. Jam clearing latch
- D. Stall release lever
- E. Worklights/fault indicator
- F. Reversible belt hook
- G. Non-mar tip holder
- H. Nail pusher
- I. Magazine
- J. Mode selector switch (DCN660 only)
- K. Depth adjustment wheel
- L. Depth indicator
- M. Trigger lock-off
- N. Non-mar tip
- O. Battery pack
- P. Battery release button

INTENDED USE

Your 16 GA finish nailer has been designed for professional nailing and tacking applications.

DO NOT use under wet conditions or in the presence of flammable liquids or gases.

These 16 GA finish nailers are professional power tools.

DO NOT let children come into contact with the tool. Supervision is required when inexperienced operators use this tool.

- **Young children and the infirm.** This appliance is not intended for use by young children or infirm persons without supervision.
- This product is not intended for use by persons (including children) suffering from diminished physical, sensory or mental abilities; lack of experience, knowledge or skills unless they are supervised by a person responsible for their safety. Children should never be left alone with this product.

Electrical Safety

The electric motor has been designed for one voltage only. Always check that the battery pack voltage corresponds to the voltage on the rating plate. Also make sure that the voltage of your charger corresponds to that of your mains.



Your DEWALT charger is double insulated in accordance with EN60335; therefore no earth wire is required.

If the supply cord is damaged, it must be replaced by a specially prepared cord available through the DEWALT service organisation.

Mains Plug Replacement (U.K. & Ireland Only)

If a new mains plug needs to be fitted:

- Safely dispose of the old plug.
- Connect the brown lead to the live terminal in the plug.
- Connect the blue lead to the neutral terminal.



WARNING: No connection is to be made to the earth terminal.

Follow the fitting instructions supplied with good quality plugs. Recommended fuse: 3 A.

Using an Extension Cable

An extension cord should not be used unless absolutely necessary. Use an approved extension cable suitable for the power input of your charger (see **Technical Data**). The minimum conductor size is 1 mm²; the maximum length is 30 m.

When using a cable reel, always unwind the cable completely.

ASSEMBLY AND ADJUSTMENTS



WARNING: To reduce the risk of serious personal injury, turn tool off and disconnect battery pack before making any adjustments or removing/installing attachments or accessories. An accidental start-up can cause injury.



WARNING: Use only DEWALT battery packs and chargers.

Inserting and Removing the Battery Pack from the Tool (Fig. 2)

NOTE: Make sure your battery pack (O) is fully charged.

TO INSTALL THE BATTERY PACK INTO THE TOOL HANDLE

1. Align the battery pack (O) with the rails inside the tool's handle (Fig. 2).
2. Slide it into the handle until the battery pack is firmly seated in the tool and ensure that you hear the lock snap into place.

TO REMOVE THE BATTERY PACK FROM THE TOOL

1. Press the release buttons (P) and firmly pull the battery pack out of the tool handle.
2. Insert battery pack into the charger as described in the charger section of this manual.

FUEL GAUGE BATTERY PACKS (FIG. 2)

Some DEWALT battery packs include a fuel gauge which consists of three green LED lights that indicate the level of charge remaining in the battery pack.

To actuate the fuel gauge, press and hold the fuel gauge button (R). A combination of the three green LED lights will illuminate designating the level of charge left. When the level of charge in the battery is below the usable limit, the fuel gauge will not illuminate and the battery will need to be recharged.

NOTE: The fuel gauge is only an indication of the charge left on the battery pack. It does not indicate tool functionality and is subject to variation based on product components, temperature and end-user application.

Low Battery Indicator (Fig. 1)

The low battery indicator is an integrated feature in the left-hand worklight (E). It will blink 4 times to indicate that the battery pack needs to be recharged and the tool will automatically shut down.



Switch off the tool and take out the battery pack (O) to charge it as soon as the indicator blinks.

The tool remains non-operational as long as a low battery pack is attached to it.

Mounting the Belt Hook (Fig. 3)

The belt hook may be attached to either side of the tool or removed if not desired.

1. Insert the belt hook (F) into the mounting hole on the side of the tool.
2. Pass the screw (S) through the belt hook and into the mounting hole. Tighten the screw.

Loading the Tool (Fig. 4)

1. Insert fasteners into the rear of the magazine (I).
2. Pull nail pusher (H) back until the nail follower falls behind the nails.
3. Release the pusher.

UNLOADING THE TOOL

1. Holding the tool upright, squeeze the latch on pusher (H) and allow nails to slide down magazine past the pusher.
2. Remove the nails from the magazine (I).

Adjusting the Driving Depth (Fig. 1)

Using the depth adjustment wheel, the nail driving depth can be adjusted to the type of fastener used.

1. To drive the nail shallower, rotate the depth adjustment wheel (K) towards the rear of the tool. Refer to gauge (L) to understand where the tool is set within the available range.
2. To sink a nail deeper, rotate the depth adjustment wheel (K) towards the front of the tool.

Selecting the Mode (Fig. 5)

DCN660 ONLY

To select sequential action mode, slide the mode selector switch (J) to the single nail icon (↗).

To select bump action mode, slide the mode selector switch (J) to the three nail icon (///).

Trigger Lock-off (Fig. 6)

This tool is equipped with a trigger lock-off (M) which prevents the tool from firing a nail.

To engage the trigger lock-off, push the switch downward.

To release the trigger lock-off (M), pull the switch upward.



WARNING: Make sure the trigger lock-off (M) is engaged and the battery pack is removed before making any adjustments or when tool is not in immediate use.

Non-mar Tip (Fig. 1)

Place the no-mark tip (N) over the contact trip (B) when the tool is used on wood.

Store the no-mark tip at the holder (G) whenever it is not to be used.



WARNING: Make sure the trigger lock-off (M) is engaged and the battery pack is removed before installing or removing the no-mark tip.

Worklights (Fig. 1)

This tool has worklights (E) located on each side. The worklights will light upon activating the trigger or releasing the contact trip. The lights will automatically go off after 10 seconds of non-operation. The worklights also function as a low battery indicator and a jammed nail indicator. For

further details, refer to **Low Battery Indicator** or **Clearing a Jammed Nail**.



WARNING: The worklights are intended for lighting the immediate work surface. Do not use the worklights as the only light source.

OPERATION

Instructions for Use



WARNING: Always observe the safety instructions and applicable regulations.



WARNING: To reduce the risk of serious personal injury, turn tool off and disconnect battery pack before making any adjustments or removing/installing attachments or accessories. An accidental start-up can cause injury.

Proper Hand Position (Fig. 9)



WARNING: To reduce the risk of serious personal injury, ALWAYS use proper hand position as shown.



WARNING: To reduce the risk of serious personal injury, ALWAYS hold securely in anticipation of a sudden reaction.

Proper hand position requires one hand the main handle.

Preparing the Tool (Fig. 1)

1. Remove battery pack and all nails from the magazine.
2. Check if the contact trip (B) and nail pusher can move freely.
3. Reload the nails to the magazine.



WARNING: Do not use the tool if the contact trip or nail pusher cannot move freely.

CAUTION: NEVER spray or in any other way apply lubricants or cleaning solvents inside the tool. This can seriously affect the life and performance of the tool.

Actuating the Tool (Fig. 1)

The DCN660 can be operated using one of two modes: sequential action mode or bump action mode.

The DCN661 operates in sequential mode only.

SEQUENTIAL ACTION MODE (/)

The sequential action mode is used for intermittent nailing when very careful and accurate placement is desired.

1. Use the mode selector switch (J), select the sequential action mode. (DCN660 only)
2. Release the trigger lock-off (M).
3. Push the contact trip (B) against the work surface.
4. Pull the trigger switch (A) to actuate the tool.
5. Release trigger and remove contact trip from work piece.
6. Repeat steps 3 - 5 to fire subsequent nails.

BUMP ACTION (//) DCN660 ONLY

The bump action mode is used for rapid nailing on flat, stationary surfaces.

1. Use the mode selector switch (J) to select the bump action mode.
2. Release the trigger lock-off (M).
3. To drive a single nail, operate the tool as described for sequential action:
 - a. Push the contact trip (B) against the work surface.
 - b. Pull the trigger switch (A) to actuate the tool.
4. To drive several nails, depress and hold the trigger switch (A), and then push the contact trip (B) repeatedly against the work surface. Each time the contact trip (B) is depressed whilst the trigger (A) is held, a nail will fire.



WARNING: Do not keep the trigger depressed when the tool is not in use. Keep the trigger lock-off (M) in the locked position to prevent accidental actuation when the tool is not in use.

Clearing a Stall or Jammed Nail (Fig. 1, 7, 8)

If a nail becomes jammed in the nosepiece or the tool stalls, the right-hand worklight (E) will blink continuously.



1. Engage the trigger lock-off (M).
2. Remove the battery pack (O) and all nails from the magazine.
3. Release the jam clearing latch (C) on top of the nosepiece and open the inspection door.

4. Remove the jammed nail, using pliers if necessary. If a jammed nail is not visible, it could be that the tool has stalled.
5. Cycle stall release lever (D) to return driver blade if necessary.
6. Close the inspection door and engage the latch pin under the two arms (Q) on the nosepiece. Lower and lock the jam clearing latch.

If nails become jammed in the nosepiece frequently, have the tool serviced by an authorised DEWALT service centre.

MAINTENANCE

Your DEWALT power tool has been designed to operate over a long period of time with a minimum of maintenance. Continuous satisfactory operation depends upon proper tool care and regular cleaning.



WARNING: To reduce the risk of serious personal injury, turn tool off and disconnect battery pack before making any adjustments or removing/installing attachments or accessories. An accidental start-up can cause injury.

The charger and battery pack are not serviceable.



Lubrication

Your power tool requires no additional lubrication.



Cleaning



WARNING: Blow dirt and dust out of the main housing with dry air as often as dirt is seen collecting in and around the air vents. Wear approved eye protection and approved dust mask when performing this procedure.



WARNING: Never use solvents or other harsh chemicals for cleaning the non-metallic parts of the tool. These chemicals may weaken the materials used in these parts. Use a cloth dampened only with water and mild soap. Never let any liquid get inside the tool; never immerse any part of the tool into a liquid.

CHARGER CLEANING INSTRUCTIONS



WARNING: Shock hazard. Disconnect the charger from the AC outlet before cleaning. Dirt and grease may be removed from the exterior of the charger using a cloth or soft non-metallic brush. Do not use water or any cleaning solutions.

Optional Accessories



WARNING: Since accessories, other than those offered by DEWALT, have not been tested with this product, use of such accessories with this tool could be hazardous. To reduce the risk of injury, only DEWALT recommended accessories should be used with this product.

Consult your dealer for further information on the appropriate accessories.

Troubleshooting

If your tool seems not to operate properly, follow the instructions below. If this does not solve the problem, please contact your repair agent.

Tool does not work.

Worklights do not switch on.

Check trigger lock off is not engaged.

- Check battery power level (See Fuel Gauge Battery Packs section of this manual).
- Remove the battery pack, wait for at least 5 seconds, then re-insert it.

Worklights are on but motor does not run.

- Ensure both the contact trip and trigger are released and then actuate only contact trip.
- Check the mode selector switch (DCN660 Only)
- Check battery power level (See Fuel Gauge Battery Packs and Low Battery Indicator section of this manual).

Worklights are on, motor runs, tool does not drive fasteners at all.

- Check the mode selector switch (DCN660 Only)
- Check that correct type of fasteners are loaded in to the magazine and that the pusher is pushing the fastener.
- Check for fault indicator lights (replace battery or clear a jam if necessary (See Low Battery Indicator and Clearing a Stall or Jammed Nail section of this manual).

- Check that the contact trip and nail pusher movement is free (See Preparing the tool section of this manual).

NOTE: The stall release lever should be used to reset the mechanism. The Trigger Lock Off may also need to be cycled to reset the electronic control. These requirements are indicated by the tool, using the worklights.

Worklights are on, motor runs, tool does not drive fasteners fully.

- Adjust the driving depth (See Adjusting the Driving Depth section of this manual).
- Change tool to seq mode if not already in seq mode.
- Choose the appropriate fastener length \ material.
- Check battery power level (See Fuel Gauge Battery Packs and Low Battery Indicator section of this manual).
- Clean the nosepiece with compressed air. Do not use lubricants.
- Clean the magazine with compressed air.
- Driver blade assembly may be damaged/worn. Please contact your repair agent if above steps do not resolve the issue.

NOTE: The stall release lever should be used to reset the mechanism. The Trigger Lock Off may also need to be cycled to reset the electronic control. These requirements are indicated by the tool, using the worklights.

Fasteners jam in tool.

Check that correct type of fasteners are loaded in to the magazine properly and that the pusher is pushing the fastener.

- Choose the appropriate fastener length \ material.
- Clean the nosepiece (See Clearing a Stall or Jammed Nail section of this manual).
- Clean the magazine with compressed air.
- Driver blade assembly may be damaged/worn. Please contact your repair agent if above steps do not resolve the issue.

NOTE: The stall release lever should be used to reset the mechanism. The Trigger Lock Off may also need to be cycled to reset the electronic control. These requirements are indicated by the tool, using the worklights.

Protecting the Environment



Separate collection. This product must not be disposed of with normal household waste.

Should you find one day that your DEWALT product needs replacement, or if it is of no further use to you, do not dispose of it with household waste. Make this product available for separate collection.



Separate collection of used products and packaging allows materials to be recycled and used again. Re-use of recycled materials helps prevent environmental pollution and reduces the demand for raw materials.

Local regulations may provide for separate collection of electrical products from the household, at municipal waste sites or by the retailer when you purchase a new product.

DEWALT provides a facility for the collection and recycling of DEWALT products once they have reached the end of their working life. To take advantage of this service please return your product to any authorised repair agent who will collect them on our behalf.

You can check the location of your nearest authorised repair agent by contacting your local DEWALT office at the address indicated in this manual. Alternatively, a list of authorised DEWALT repair agents and full details of our after-sales service and contacts are available on the Internet at: www.2helpU.com.



Rechargeable Battery Pack

This long life battery pack must be recharged when it fails to produce sufficient power on jobs which were easily done before. At the end of its technical life, discard it with due care for our environment:

- Run the battery pack down completely, then remove it from the tool.
- Lithium-ion cells are recyclable. Take them to your dealer or a local recycling station. The collected battery packs will be recycled or disposed of properly.